

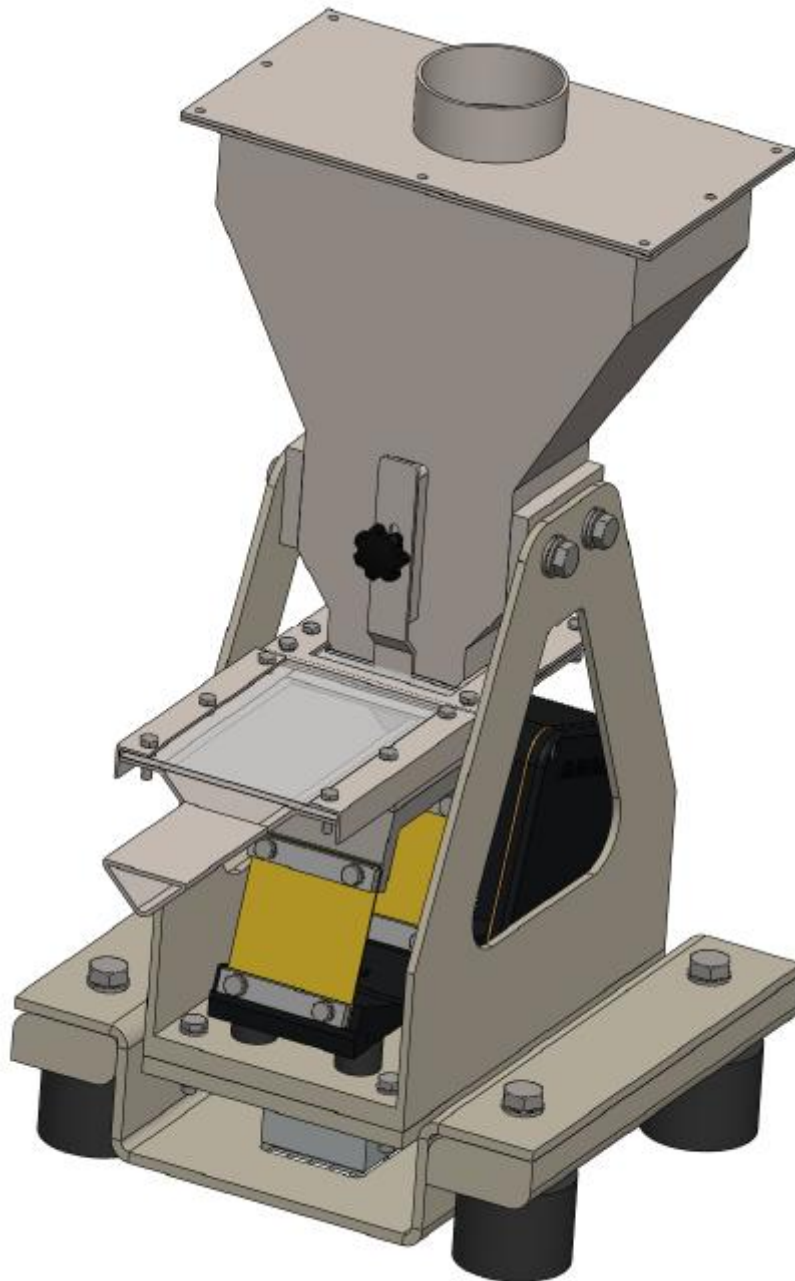


ALGO DOSYS SAGL

Sistemi di dosaggio

MWSt. / IVA No.: CHE-352.939.943

PIAZZALE RONCÀA 4
CH-6850 MENDRISIO
TEL / FAX +41 91 630 14 59
info@algodosys.com
www.algodosys.com



DGV 2 - V

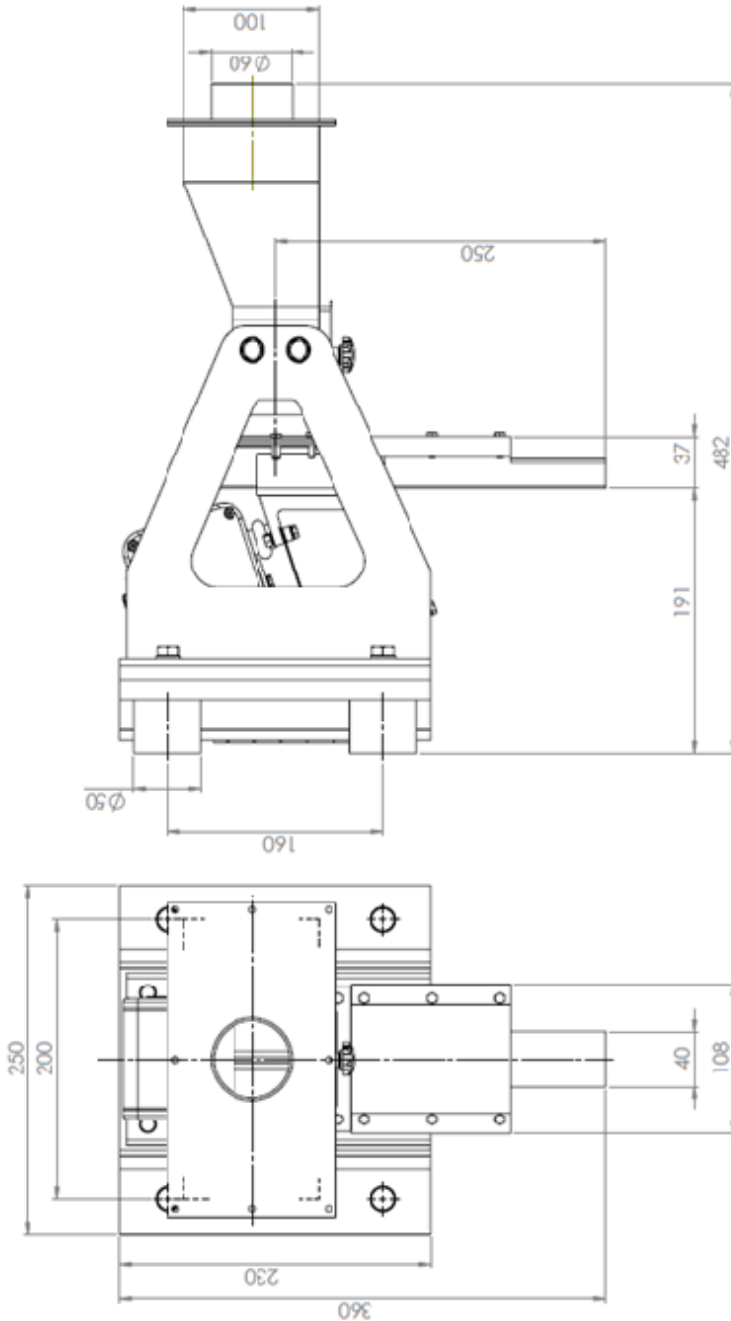


ALGO DOSYS SAGL

Sistemi di dosaggio

MWSt. / IVA No.: CHE-352.939.943

PIAZZALE RONCÀA 4
CH-6850 MENDRISIO
TEL / FAX +41 91 630 14 59
info@algodosys.com
www.algodosys.com



GENERAL CHARACTERISTICS

PRODUCT PROPERTY	Sliding, fluid, not packaging
APPLICATIONS	Extremely constant dosing of material. Indicated mainly for MASTER BATCH
DOSAGE DEVICE	ALGO DOSYS VP-13 vibrating channel, regulated by the weighing system
CAPACITY	50 gr .. 10 kg/h flow error or less than 1%
POWER SUPPLY CONSUMPTION	230V 50-60 Hz 40 mA
RESONANCE FREQUENCY	35-65 Hz
WEIGHT	~ 20 Kg

DGV 2 - V